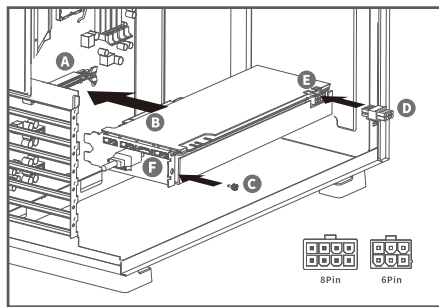


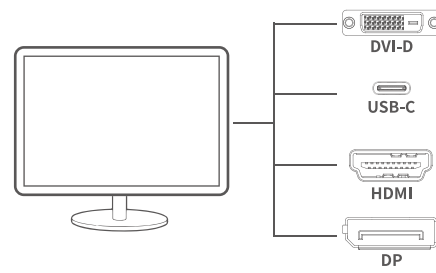
### Graphics Card Installation

- 1.Power off your computer and unplug the power line.
- 2.Remove the chassis cover and locate the PCI-Express slot(A).
- 3.Remove the metal tailgate from the expansion slot where your graphics card installed.
- 4.Align your graphics card with the PCI-Express slot(B), insert and make sure that the goldedge connector of graphics card is securely inserted firmly.
- 5.Secure the card into the expansion slot with a screw (C).
- 6.Connect the appropriate PCI-Express plug(D) to the supplementary power interface of card(E).



### Monitor Connecting

1. Connect the appropriate cable of the monitor to your graphics card.



#### NOTE:

1. Above picture of Interface Type shown is for illustration purpose only. The actual output interfaces of graphics card may vary due to product enhancement.
2. If your graphics cards without independent supplementary power connector, please ignore the installation step 6.
3. The power lines can be reconnected only after all the cables connected.
4. Above picture of installation for your reference only. The specific operation shall be subject to the actual situation.

### Drive Installation

- 1.Boot your computer and enter the operating system.
- 2.Access the Haostar website: [www.haostar.com](http://www.haostar.com), select "Service and Support" and click "Drive Service" .
- 3.Select your product model and system version, then you can download and install the driver.
- 4.For driver installation, accessing the website of NVIDIA/AMD are also available.

### Requirements Of Your Computer

- 1.Your computer must be with a motherboard, which configured at least 1pc PCI-Express slot.
- 2.Your monitor must be configured at least one image-output-port for corresponding with the graphics card
- 3.Supporting Microsoft Windows7, Windows10 or above, or Linux operating system (Depending on actual product)
- 4.Your computer needs at least 1.5GB of free hard disk space.

### Tools

1. Phillips screwdriver: will be frequently used during installation. And a screwdriver with a magnetic tip will be a best selection.

### CAUTION:

1. Excessive overclocking the core or memory clock for a long time, may cause the product broken, that will be out of our warranty
2. Do not update BIOS without permission from the original manufacturer



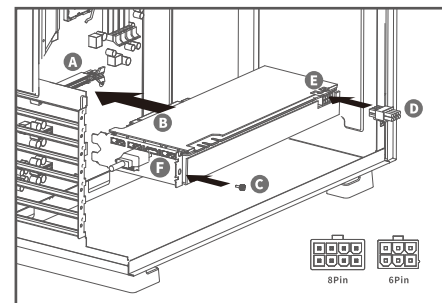
## 显卡安装说明书

Video Card installation manual

感谢您选择本公司产品  
Thank you for choosing our products

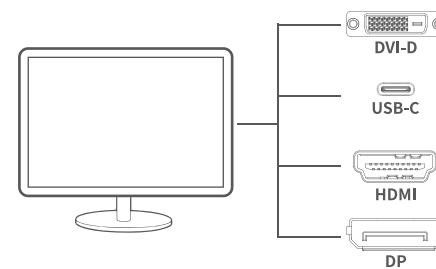
### 一 安装显卡

- 1.关闭计算机电源并拔出电源线
- 2.移除机箱盖并且找到PCIe插槽A
- 3.移除要安装显卡扩展槽处的金属后挡板
- 4.将显卡PCIe接口B插入至PCIe插槽并确保插入牢固
- 5.用螺丝C将显卡固定在扩展槽上
- 6.将对应的PCIe供电接头D连接至显卡独立供电接口E



### 二 连接显示器

- 1.将显示器的信号线连接至显卡相对应的信号端口D



### VGA备注:

- 1.上述接口为显卡输出接口的范例示意图,实际请以显卡实物为准。
- 2.部分显卡不具备独立供电接口,无需执行安装步骤6。
- 3.待信号线连接完毕后方可重新连接所有电源线。
- 4.安装图片仅供参考,具体操作请以实际情况为准。

### 三 安装驱动

- 1.开机并进入操作系统。
- 2.打开电脑上的网页浏览器并进入[www.haostar.com](http://www.haostar.com),选择服务与支持的栏目下的驱动服务。
- 3.选择好产品型号及系统版本后,即可下载相应的驱动服务!
- 4.您也可以至 NVIDIA/AMD官方网站下载驱动程序。

### 四 系统要求

- 1.搭载一个或者以上PCI Express x16插槽的主板。
- 2.支持一个或以上与显卡相对应影像输出端口的显示器。
- 3.Microsoft Windows7、Windows10或以上,或Linux作业系(视实际产品而定)
- 4.至少1.5GB的可用硬盘空间。

### 五 辅助工具

- 1.十字螺丝刀:在安装的过程中经常要使用。可以选择具体磁性刀头的螺丝刀。

### 六 注意事项

- 1.对产品核心、显存频率进行长时间不当超频将可能导致非保修范围内的产品故障损坏。
- 2.未经原厂授权请勿自行更新BIOS